

Recommended P.C.B Layout

TECHNICAL CHARACTERISTICS

MATERIAL
 INSULATOR: PBT
 FLAMABILITY RATING: UL94-V0
 COLOR: BLACK
 CONTACT MATERIAL: COPPER ALLOY
 CONTACT TYPE: STAMPED
 CONTACT PLATING: GOLD
 QUALITY CLASS: 3 AS PER CECC 75 301-802
 PITCH: 2.54MM

ENVIRONMENTAL
 OPERATING TEMPERATURE: -40 UP TO 125°C
 COMPLIANCE: LEAD FREE AND ROHS

ELECTRICAL
 CURRENT RATING: 3A MAX
 WORKING VOLTAGE: 250V AC
 INSULATOR RESISTANCE: >1000 MOHM
 DIELECTRIC WITHSTANDING VOLTAGE: 500V AC/MN
 CONTACT RESISTANCE: 20 mOHM MAX

STANDARD
 CERTIFIED: E323964 / MODEL NUMBER 612-212-R

SOLDERING
 WAVE PROCESS ONLY

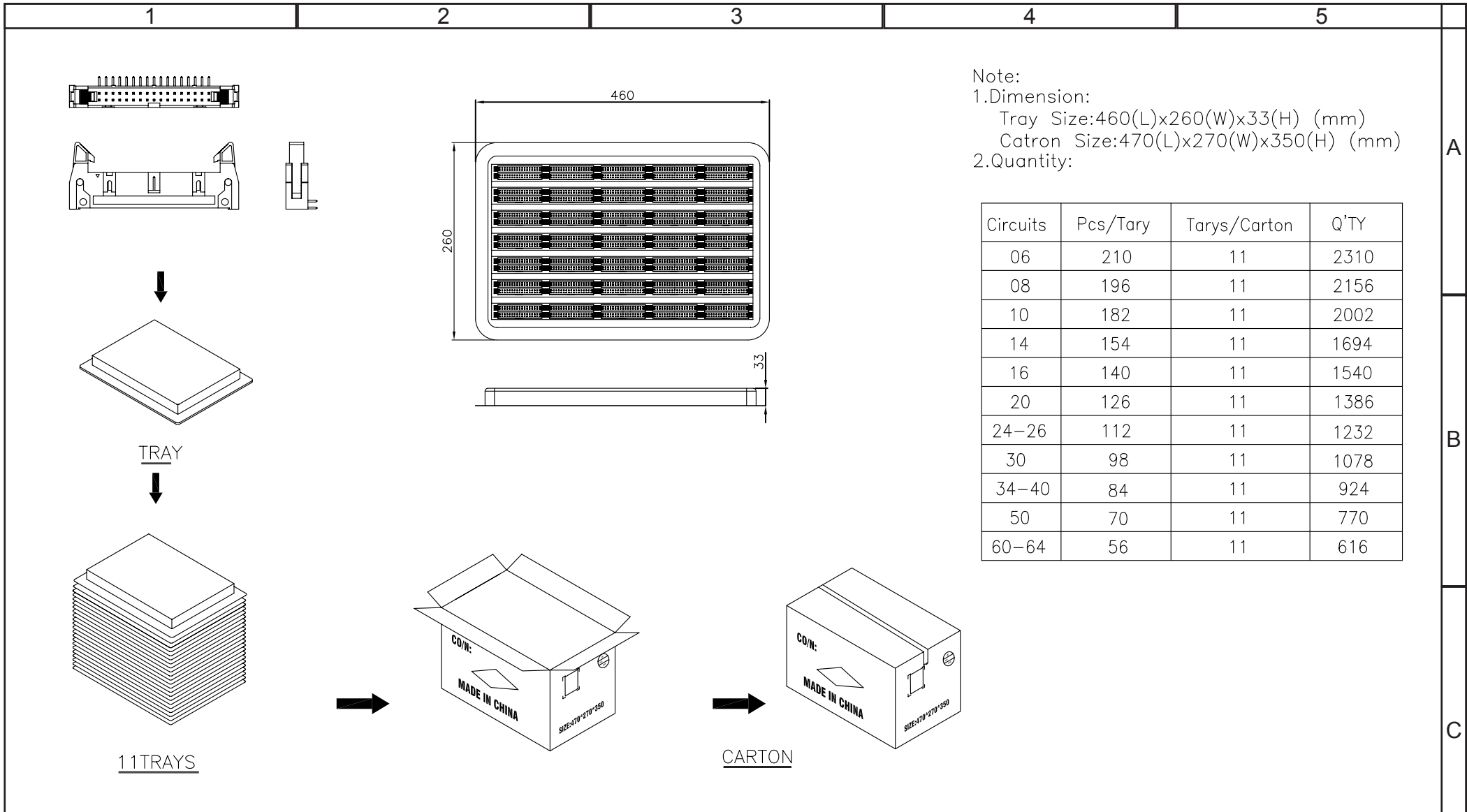
PACKAGING
 TRAY

DIMENSION

No. of Positions	Dim A	Dim B	No. of Positions	Dim A	Dim B
10	32.00	10.16	40	70.10	48.26
14	37.08	15.24	50	82.85	60.96
16	39.62	17.78	60	95.50	73.66
20	44.70	22.86			
24	49.78	27.94			
26	52.30	30.48			
30	57.40	35.56			
34	62.50	40.64			

Notes:
 No. of Positions 64 with three key; Other positions with one key

RoHS Compliant				PROJECTION:	GENERAL TOLERANCE		DESCRIPTION: 2.54MM MALE ANGLED BOX HEADER WITH SHORT LEVER WERI PART NO: 612 0xx 221 21	SIZE A4
					.X = +/- 0.2 .XX = +/- 0.15			
J	24-SEP-13	TABLE PINNING	QL	APPROVAL: RJ	UNIT: MM			
I	19-MAR-13	NOTES	AR		SCALE:			
H	20-FEB-13	OVERALL LENGHT	QL		SHEET: 1/2			
REV	DATE	FILE	BY		DRAW: MIKE			



Note:

1.Dimension:

Tray Size:460(L)x260(W)x33(H) (mm)

Catron Size:470(L)x270(W)x350(H) (mm)

2.Quantity:

Circuits	Pcs/Tary	Tarys/Carton	Q'TY
06	210	11	2310
08	196	11	2156
10	182	11	2002
14	154	11	1694
16	140	11	1540
20	126	11	1386
24-26	112	11	1232
30	98	11	1078
34-40	84	11	924
50	70	11	770
60-64	56	11	616

RoHS Compliant				PROJECTION:	GENERAL TOLERANCE		DESCRIPTION: 2.54MM MALE ANGLED BOX HEADER WITH SHORT LEVER	SIZE
G					.X = +/- 0.2			
F						.XX = +/- 0.15		
E				APPROVAL: RJ	UNIT: MM	WERI PART NO: 612 0xx 221 21		A4
D					SCALE:			
C				DRAW: PEARL	SHEET: 2/2	WERI PART NO: 612 0xx 221 21		A4
B								
A						WERI PART NO: 612 0xx 221 21		A4
REV	DATE	FILE	BY					