



### Description

- Standard 7 x 5mm crystal oscillator in a ceramic package with a seam sealed metal lid, hermetically sealed.
- Model: CFPS-72
- Model Issue number: 12

### Frequency Parameters

- Frequency: 12.0MHz
- Frequency Stability:  $\pm 50.00\text{ppm}$
- Operating Temperature Range: 0.00 to 70.00°C
- Ageing:  $\pm 3\text{ppm per year max}$

### Electrical Parameters

- Supply Voltage: 5.0V  $\pm 10\%$
- Current Draw: 20.00mA

### Output Details

- Output Compatibility: HCMOS/TTL
- Drive Capability: 50pF max
- Rise and Fall Time: 10.0ns max
- Duty Cycle: 45/55%

### Output Control

- Standby Operation:  
Logic '1' (>70% Vs) to pad 1 enables oscillator output.  
Logic '0' (<30% Vs) to pad 1 disables oscillator output; the oscillator output goes to the high impedance state.  
No connection to pad 1 enables oscillator output.
- Standby Current: 10µA max

### Noise Parameters

- Phase Jitter RMS : 350fs typical

### Environmental Parameters

- Shock: MIL-STD-202, Method 213, Condition E.
- Vibration: MIL-STD-883, Method 2007, Condition A.

### Compliance

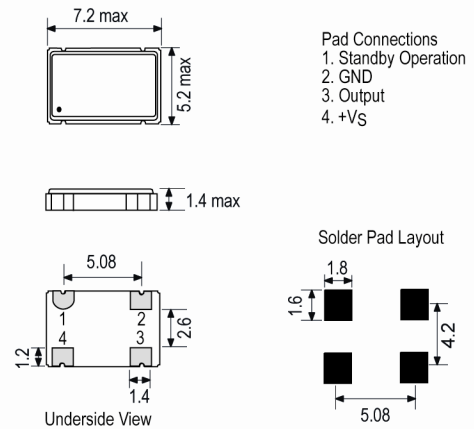
- RoHS Status (2011/65/EU): Compliant
- REACH Status: Compliant
- MSL Rating (JDEC-STD-033): Not Applicable

### Packaging Details

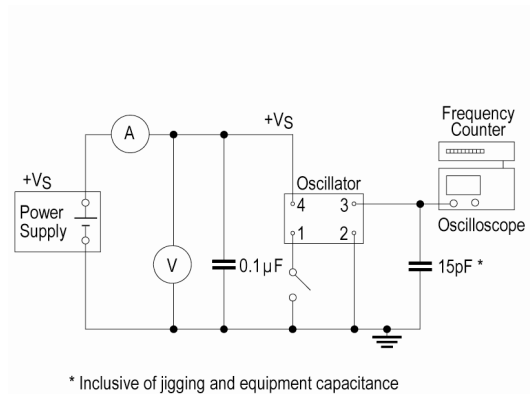
- Pack Style: Bulk Loose in bulk pack  
Pack Size: 100
- Alternative packing option available



### Outline (mm)



### Test Circuit



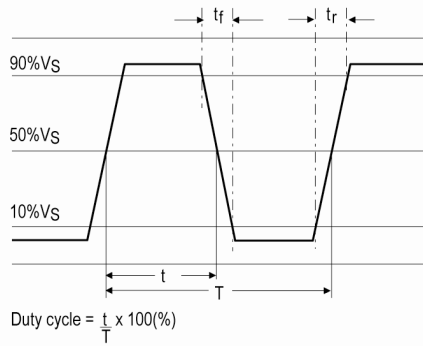
### Sales Office Contact Details:

UK: +44 (0)1460 270200  
Germany: 0800 1808 443

France: 0800 901 383  
USA: +1.760.318.2824

Email: [info@iqdfrequencyproducts.com](mailto:info@iqdfrequencyproducts.com)  
Web: [www.iqdfrequencyproducts.com](http://www.iqdfrequencyproducts.com)

**Wave Form**



**Sales Office Contact Details:**

UK: +44 (0)1460 270200  
Germany: 0800 1808 443

France: 0800 901 383  
USA: +1.760.318.2824

Email: [info@iqdfrequencyproducts.com](mailto:info@iqdfrequencyproducts.com)  
Web: [www.iqdfrequencyproducts.com](http://www.iqdfrequencyproducts.com)