

DO NOT SCALE FROM THIS PRINT

DESIGNED & DIMENSIONED IN MILLIMETERS [INCHES]

MCX-P-P-X-ST-TH2

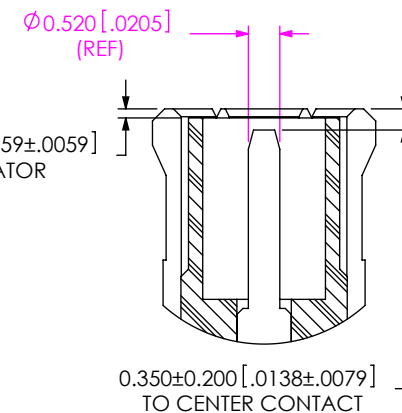
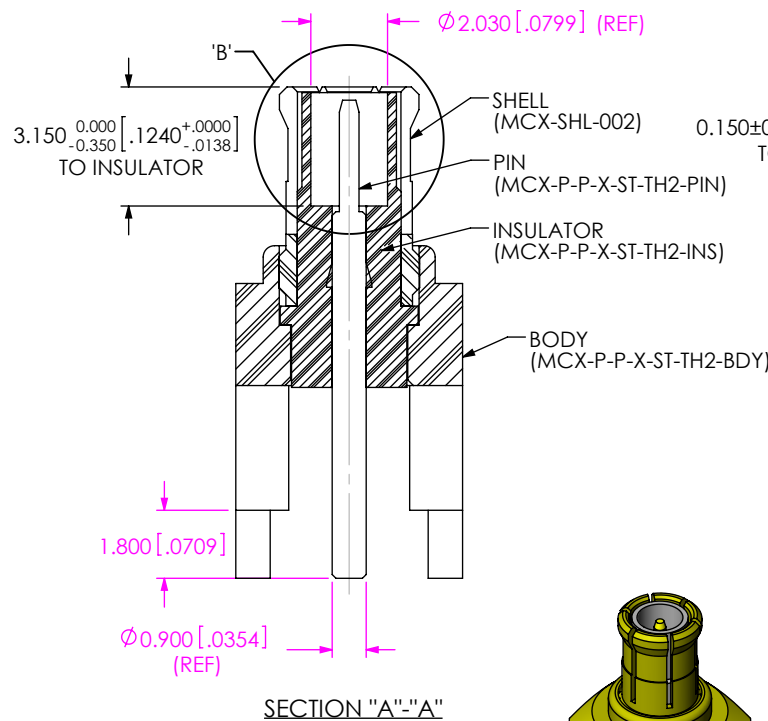
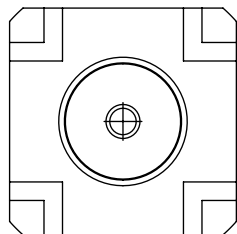
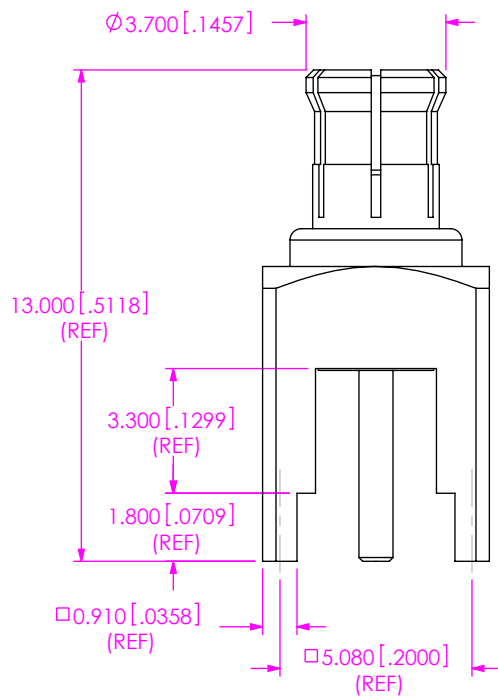
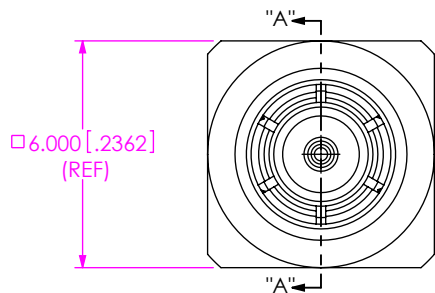
GENDER -P: PLUG

TYPE -P: PCB

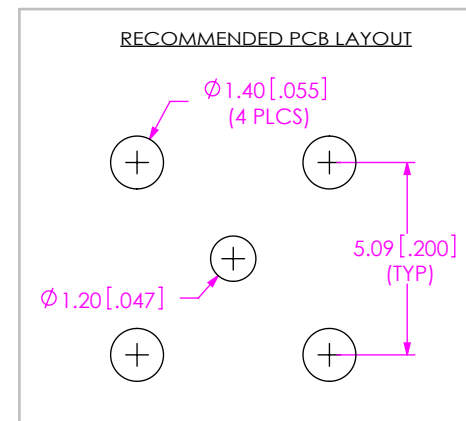
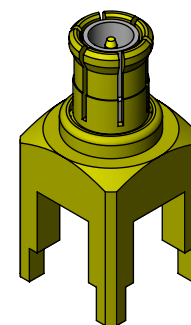
PLATING SPECIFICATION -H: HEAVY GOLD (SEE TABLE 1)

TERMINATION -TH2: THROUGH HOLE

ORIENTATION -ST: STRAIGHT



DETAIL 'B' SCALE 8:1



NOTES:

- Ⓢ REPRESENTS A CRITICAL DIMENSION.
- PUSHOUT FORCE FOR INSULATOR: 20 N [4.5 LB] MIN.
- PUSHOUT FORCE FOR CENTER CONTACT: 10 N [2.25 LB] MIN.
- PARTS TO BE PACKAGED IN TRAYS; IF QUANTITY IS LESS THAN HALF TRAY, PARTS TO BE PACKAGED PER CO-HD-WI-3033-M.
- ROHS COMPLIANT.

TABLE 1: MATERIAL

SAMTEC PART NUMBER	ITEM	MATERIAL	PLATING - (REFERENCE)
MCX-SHL-002	SHELL	BeCu C17300	0.00008 [0.000003] GOLD OVER .00127 [0.000050] NICKEL
MCX-P-P-X-ST-TH2-BDY	BODY	BRASS C3604B	0.00008 [0.000003] GOLD OVER .00127 [0.000050] NICKEL
MCX-P-P-X-ST-TH2-INS	INSULATOR	PTFE TEFLON (WHITE)	N/A
MCX-P-P-X-ST-TH2-PIN	PIN	BRASS C3602B	0.00076 [0.000030] GOLD OVER .00127 [0.000050] NICKEL

F:\DWG\MISC\MKTG\MCX-P-P-X-ST-TH2-MKT.SLDDRW

UNLESS OTHERWISE SPECIFIED, DIMENSIONS ARE IN MILLIMETERS. TOLERANCES ARE:
 DECIMALS ANGLES
 .X: ±0.3 [0.1] 2°
 .XX: ±0.13 [0.05]
 .XXX: ±0.051 [0.020]

PROPRIETARY NOTE
 THIS DOCUMENT CONTAINS CONFIDENTIAL AND PROPRIETARY INFORMATION AND ALL DESIGN, MANUFACTURING, REPRODUCTION, USE, PATENT RIGHTS AND SALES RIGHTS ARE EXPRESSLY RESERVED BY SAMTEC, INC. THIS DOCUMENT SHALL NOT BE DISCLOSED, IN WHOLE OR PART, TO ANY UNAUTHORIZED PERSON OR ENTITY NOR REPRODUCED, TRANSFERRED OR INCORPORATED IN ANY OTHER PROJECT IN ANY MANNER WITHOUT THE EXPRESS WRITTEN CONSENT OF SAMTEC, INC.

MATERIAL: SEE TABLE 1

DO NOT SCALE DRAWING

SHEET SCALE: 5:1



520 PARK EAST BLVD, NEW ALBANY, IN 47150
 PHONE: 812-944-6733 FAX: 812-948-5047
 e-Mail: info@SAMTEC.com code 55322

DESCRIPTION: MCX STRAIGHT, THROUGH HOLE PLUG- 50 OHM

DWG. NO. MCX-P-P-X-ST-TH2

BY: R MUSSER 02/06/2008 SHEET 1 OF 1