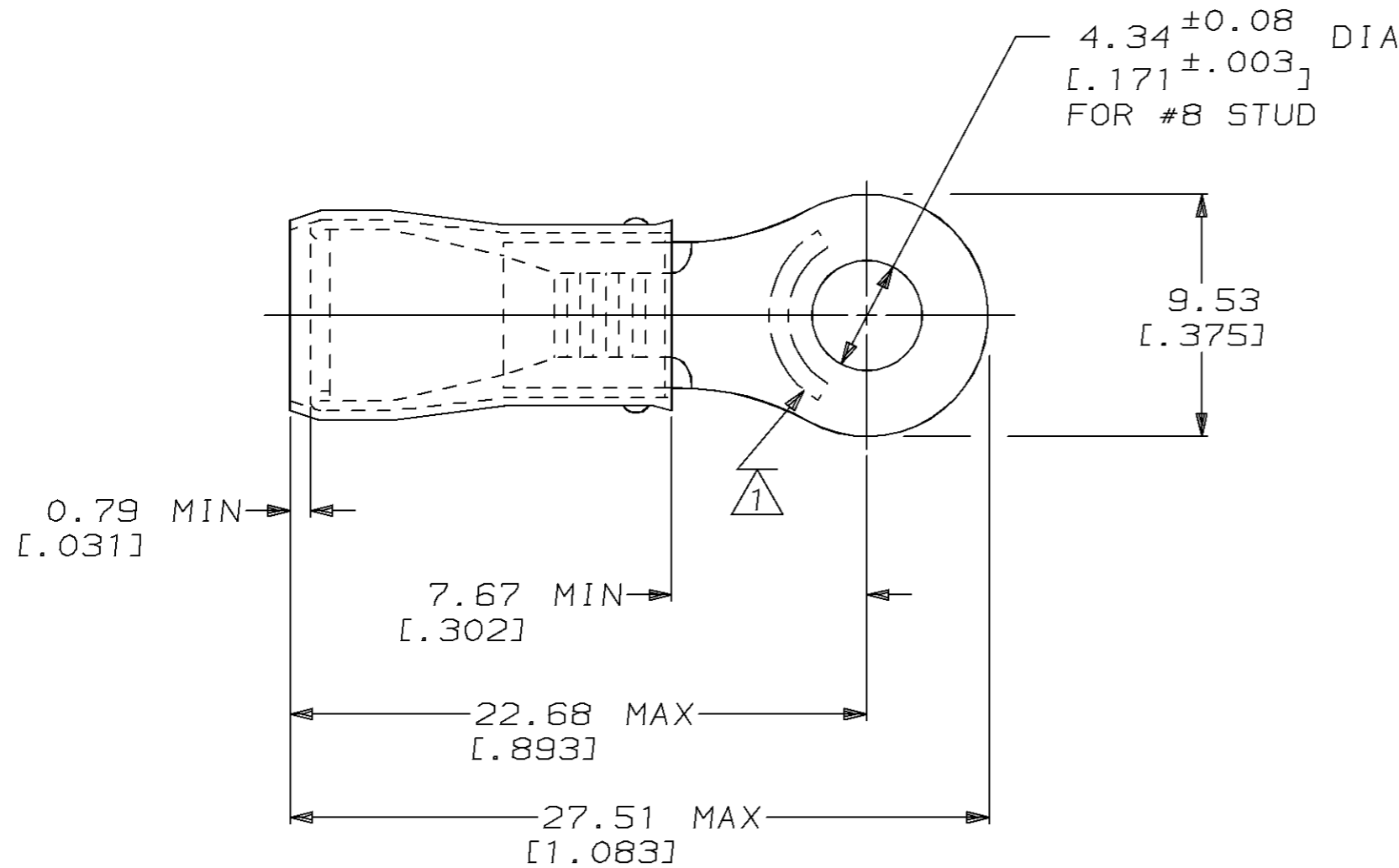


THIS DRAWING IS UNPUBLISHED. RELEASED FOR PUBLICATION, 19 .
 © COPYRIGHT 19 BY AMP INCORPORATED. ALL INTERNATIONAL RIGHTS RESERVED.

LOC	DIST	P	F	REVISIONS				
G	14			ZONE	LTR	DESCRIPTION	DATE	APPD
					M	OBS 2--4, 2--5 PER 0720-0956-96	26JUN96	ML

AMP WIRE RANGE	UL E13288 Listed	SR LR7189 Certified
12-10 AWG SOLID OR STRANDED	12-10 AWG SOLID OR STRANDED	12-10 AWG SOLID OR STRANDED

- 1 STAMP AMP 12-10* APPROX AS SHOWN
- 2 WIRE INSULATION DIA: .150 - .230
- 3 TONGUE MATERIAL THK: 0.99^{±0.05} [.039^{±.002}]
- 4 FOR FOREIGN PRODUCTION ONLY



AMP INCORPORATED CUSTOMER SERVICE SYSTEMS		MAX RECOMMENDED OPERATING TEMPERATURE: 105°C MAX	MILITARY P/N AND CLASS	QUANTITY	LOOSE PIECE	32543
FOR ADDITIONAL PRODUCT INFORMATION OR COPIES OF DRAWINGS AND TECHNICAL DOCUMENTS	PRODUCT INFORMATION CENTER 1-800-522-6752	VOLTAGE RATING: 300 V MAX	DO NOT SCALE PRINT, UNLESS SPECIFIED DIMENSIONS IN mm [INCHES] TOLERANCES ON: 2 PLC DEC ± 0.20 [.008] 3 PLC DEC ± - ANGLES ± -	DR 3/25/93 DK SCHRUM CHK 3/29/93 RE HERSEY APPD 3/29/93 ML ELLIS APPD 3/29/93 M BARNABA PRODUCT SPEC 108-1034	AMP AMP Incorporated Harrisburg, PA 17105-3608	
FOR APPLICATION TOOLING INFORMATION	TOOLING ASSISTANCE CENTER 1-800-722-1111	CIRCULAR MIL AREA: 2.62-6.64mm² [5, 180-13, 100] SOLID OR STRANDED	MATERIAL COPPER PER ASTM B-152 SLEEVE: YELLOW VINYL	APPLICATION SPEC NOT AVAILABLE	NAME TERMINAL, RING TONGUE, P.I.D.G.™	
FOR ORDER ENTRY	1-800-526-5142	THIS DRAWING IS A CONTROLLED DOCUMENT FOR AMP INCORPORATED. IT IS SUBJECT TO CHANGE AND THE CONTROLLING ENGINEERING ORGANIZATION SHOULD BE CONTACTED FOR THE LATEST REVISION.	FINISH TIN PLATE PER MIL-T-10727	WEIGHT -	SIZE B	CAGE CODE 00779
					DRAWING NO C-32543	SHEET 1 OF 1
					SCALE 4:1	