

F

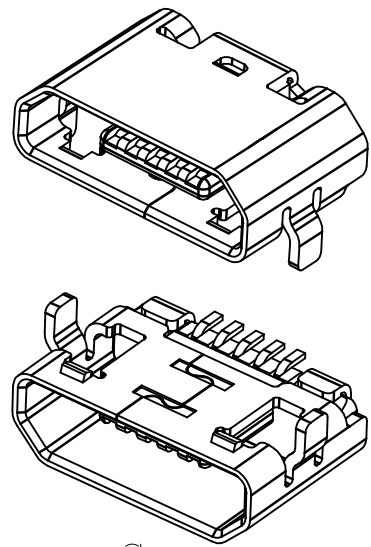
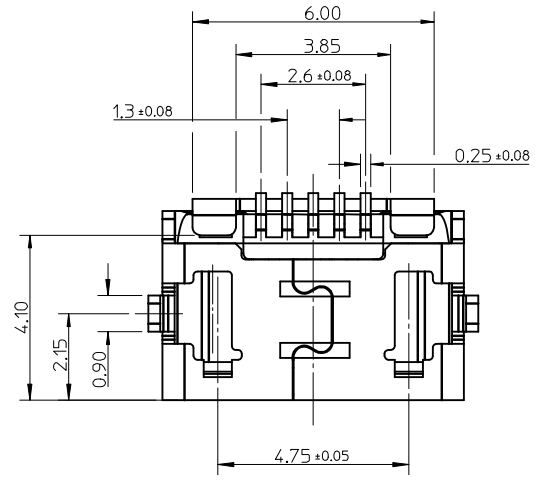
E

D

C

B

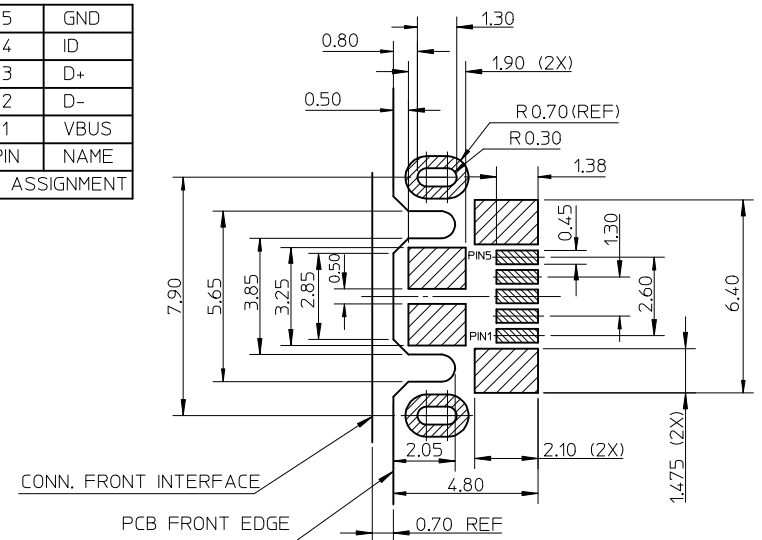
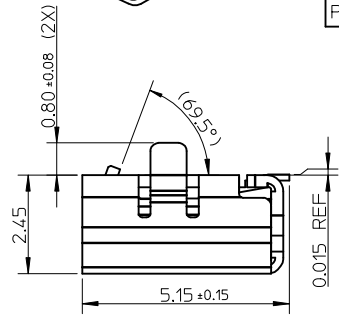
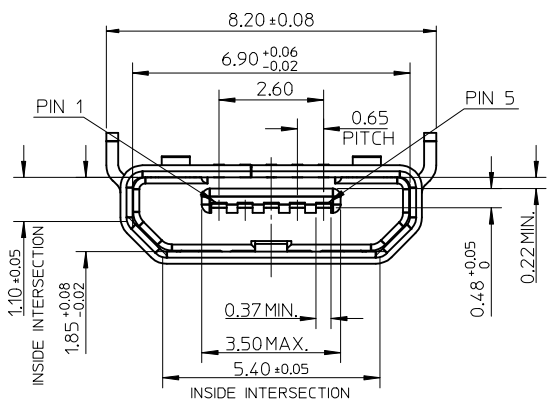
A



PIN	NAME
5	GND
4	ID
3	D+
2	D-
1	VBUS

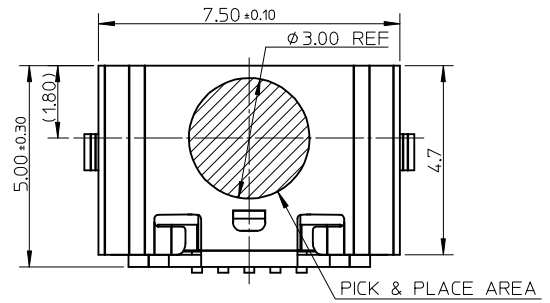
NOTES:

- MATERIAL:
HOUSING: LCP, BLACK, UL94V-0
TERMINAL: COPPER ALLOY, THICKNESS = 0.15MM
SHELL: STAINLESS STEEL, THICKNESS = 0.30MM
- PLATING:
TERMINAL:
CONTACT AREA: GOLD FLASH OVER 0.75 MICRON MINIMUM Pd/Ni.
SOLDER TAIL AREA: GOLD FLASH.
UNDER PLATING: NICKEL 2.0 MICRON MINIMUM.
SHELL:
MATTE TIN 2.0 MICRON MINIMUM.
UNDER PLATING: NICKEL 1.27 MICRON MINIMUM.
- TAIL & NAIL COPLANARITY 0.08MM MAXIMUM.
- PRODUCT SPEC: PS-47642-001, PACKAGING SPEC: PK-105164-001.
- COMPLIANT TO RoHS DIRECTIVE 2011/65/EC AND ELV 2000/53/EC.



RECOMMENDED P.C.B. PATTERN LAYOUT

GENERAL TOLERANCE : ±0.05MM



REV	DESCRIPTION
REVISED	
1	IEC NO: SH2016-0313
2	DRWN:XZHZHANG 2016/05/24
3	CHKD:XZHZHANG 2016/06/01
4	APPR:AYIN 2016/06/02

QUALITY SYMBOLS	GENERAL TOLERANCES (UNLESS SPECIFIED)	
	mm	INCH
$\nabla F=0$	4 PLACES ± --- ± ---	
$\nabla E=0$	3 PLACES ± --- ± ---	
$\nabla D=0$	2 PLACES ± 0.25 ± ---	
	1 PLACE ± 0.25 ± ---	
	0 PLACE ± --- ± ---	
	ANGULAR ± 3 °	
	DRAFT WHERE APPLICABLE MUST REMAIN WITHIN DIMENSIONS	

DIMENSION STYLE		SCALE	DESIGN UNITS	THIRD ANGLE PROJECTION
MM ONLY		8:1	METRIC	
DRAWN BY	DATE	TITLE		
XJSONG	2010/07/26	MICRO USB B RECEPTACLE TOP MOUNT FLANGELESS		
CHECKED BY	DATE			
XJSONG	2010/07/26			
APPROVED BY	DATE			
AYIN	2013/04/16			
MATERIAL NO.	DOCUMENT NO.	SHEET NO.		
105164-0001	SD-105164-001	1 OF 1		

molex

THIS DRAWING CONTAINS INFORMATION THAT IS PROPRIETARY TO MOLEX INCORPORATED AND SHOULD NOT BE USED WITHOUT WRITTEN PERMISSION