

THIS DRAWING IS UNPUBLISHED. RELEASED FOR PUBLICATION  
 © COPYRIGHT 19 BY TYCO ELECTRONICS CORPORATION. ALL INTERNATIONAL RIGHTS RESERVED.

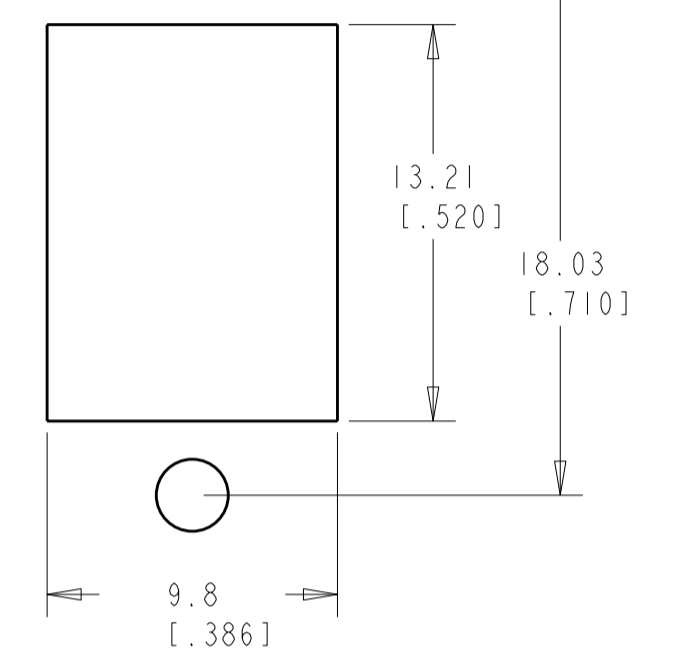
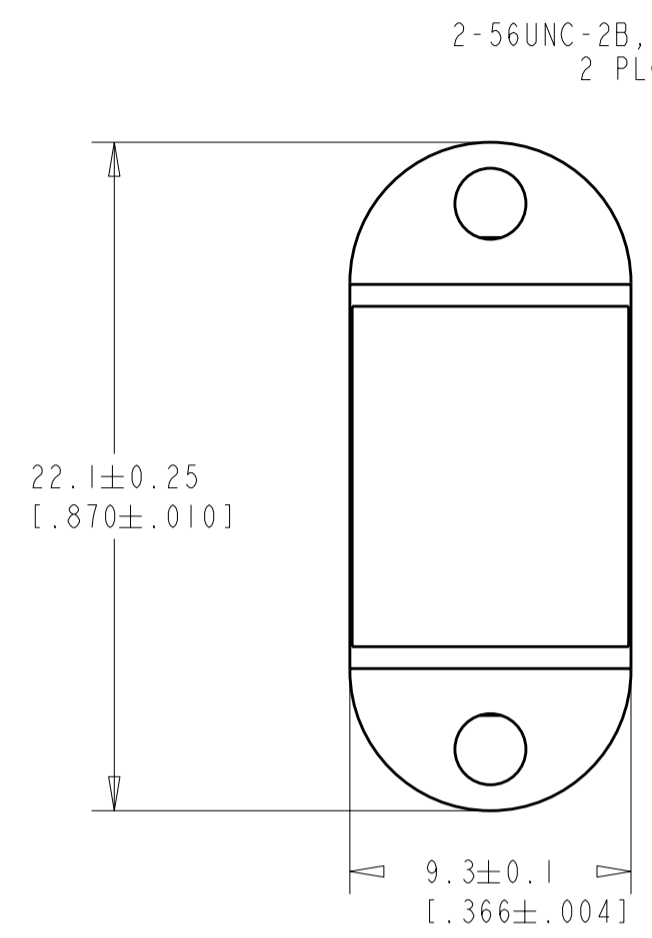
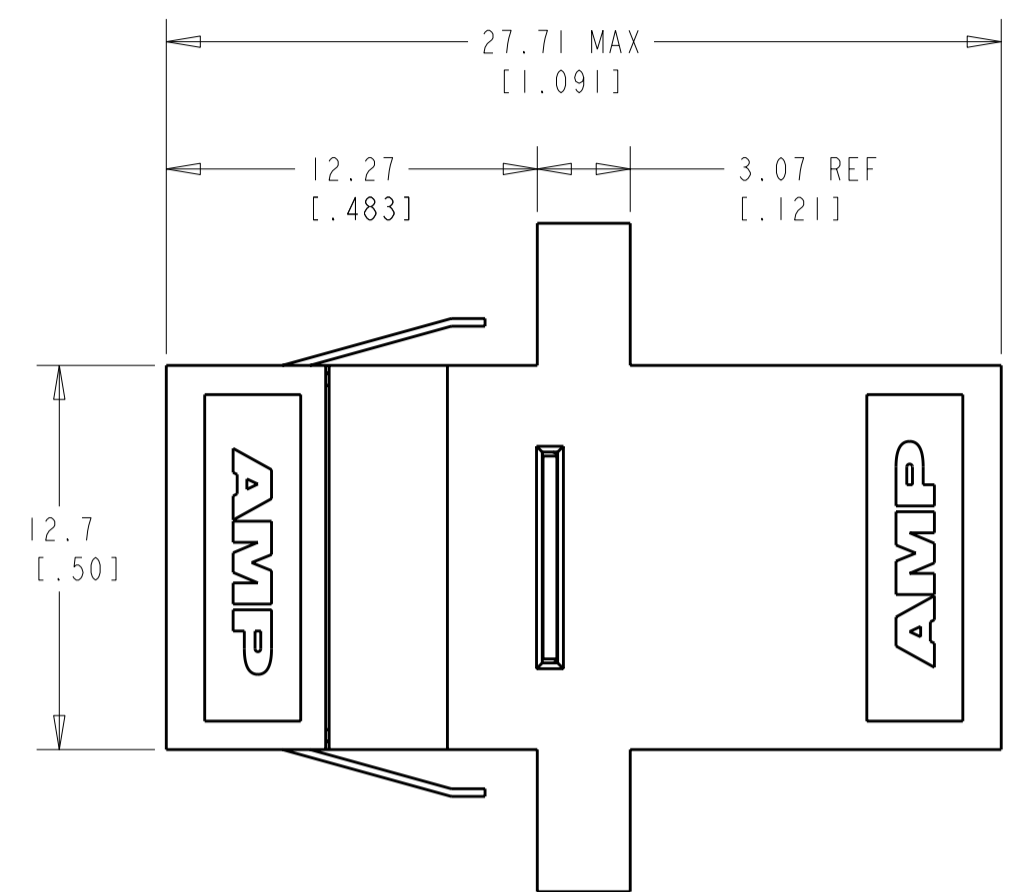
LOC	DIST	REVISIONS					
		P	LTR	DESCRIPTION	DATE	DWN	APVD
CE	16		G	REV PER 0A00-0066-03	5-19-03	DDE	SM
			G1	REVISED PER ECO-10-000445	27JAN10	KK	HMR
			-	-	-	-	-

1 MATERIAL:  
 HOUSING: DIECAST  
 SLEEVE: SEE DASH NO'S  
 RETAINER: PEI GF30, COLOR: BLACK, UL94 V-0 RATED AT QUALIFYING THICKNESS.  
 DUST COVER: TPE, COLOR: BLACK, UL94 V-0 RATED AT QUALIFYING THICKNESS.  
 RETENTION CLIP: SST

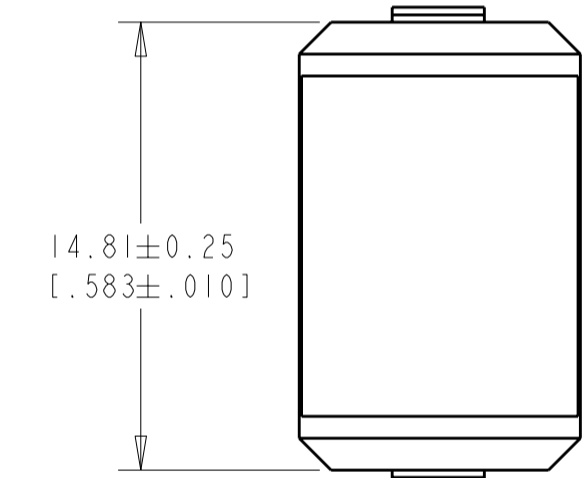
2 FINISH:  
 HOUSING: NICKEL PLATED

3 BULK PACKAGE, 50 PCS.

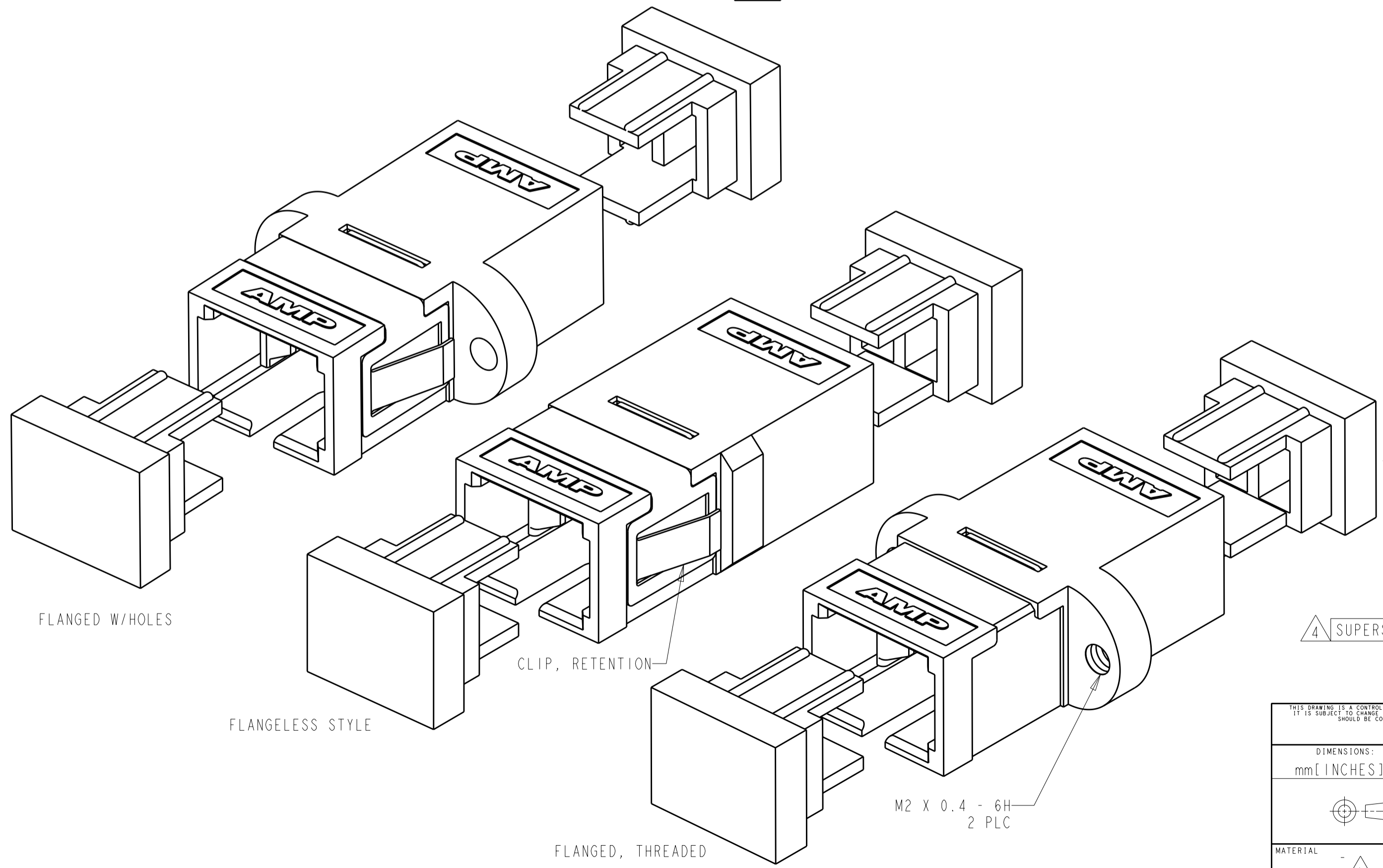
4 OBSOLETE PARTS: OBSOLETE CIS STREAMLINING PER D.RENAUD/D.SINISI



SUGGESTED PANEL CUTOUT  
 MAX PANEL THICKNESS 1.7 [.067]



FLANGELESS STYLE



3			
	CERAMIC	FLANGED W/HOLES, NO CLIP	1-1278348-2
	METAL	THREADED FLANGE, NO CLIP	1-1278348-1
4	SUP 1-6278348-0	CERAMIC	FLANGELESS, NO CLIP
	METAL	FLANGED W/HOLES, NO CLIP	1278348-9
	CERAMIC	FLANGELESS	1278348-8
	CERAMIC	FLANGELESS	1278348-7
	METAL	FLANGELESS	1278348-6
	METAL	FLANGELESS	1278348-5
	CERAMIC	FLANGED W/HOLES	1278348-4
	CERAMIC	FLANGED W/HOLES	1278348-3
4	SUPERSEDED BY 6278348-2	METAL	FLANGED W/HOLES
	METAL	FLANGED W/HOLES	1278348-1
ALIGNMENT SLEEVE		DESCRIPTION	PART NO

THIS DRAWING IS A CONTROLLED DOCUMENT FOR TYCO ELECTRONICS CORPORATION. IT IS SUBJECT TO CHANGE AND THE CONTROLLING ENGINEERING ORGANIZATION SHOULD BE CONTACTED FOR THE LATEST REVISION.		DWN D. ERDMAN 11-5-98	AMP Incorporated Harrisburg, PA 17105-3608	
DIMENSIONS: mm [INCHES]		CHK J. ENGLISH 11-5-98	NAME ASSEMBLY, RECEPTACLE, SC/SC SIMPLEX, DIECAST HOUSING	
TOLERANCES UNLESS OTHERWISE SPECIFIED: 0 PLC ± 1 PLC ±0.13 [.005] 2 PLC ±0.13 [.005] 3 PLC ± 4 PLC ± ANGLES ± FINISH ±		APVD S. BUCHTER 11-5-98	SIZE A2	
MATERIAL		PRODUCT SPEC	CAGE CODE 00779	DRAWING NO 1278348
1		APPLICATION SPEC	RESTRICTED TO	
2		WEIGHT	SCALE 4:1	SHEET 1 OF 1
CUSTOMER DRAWING		REV G1		