

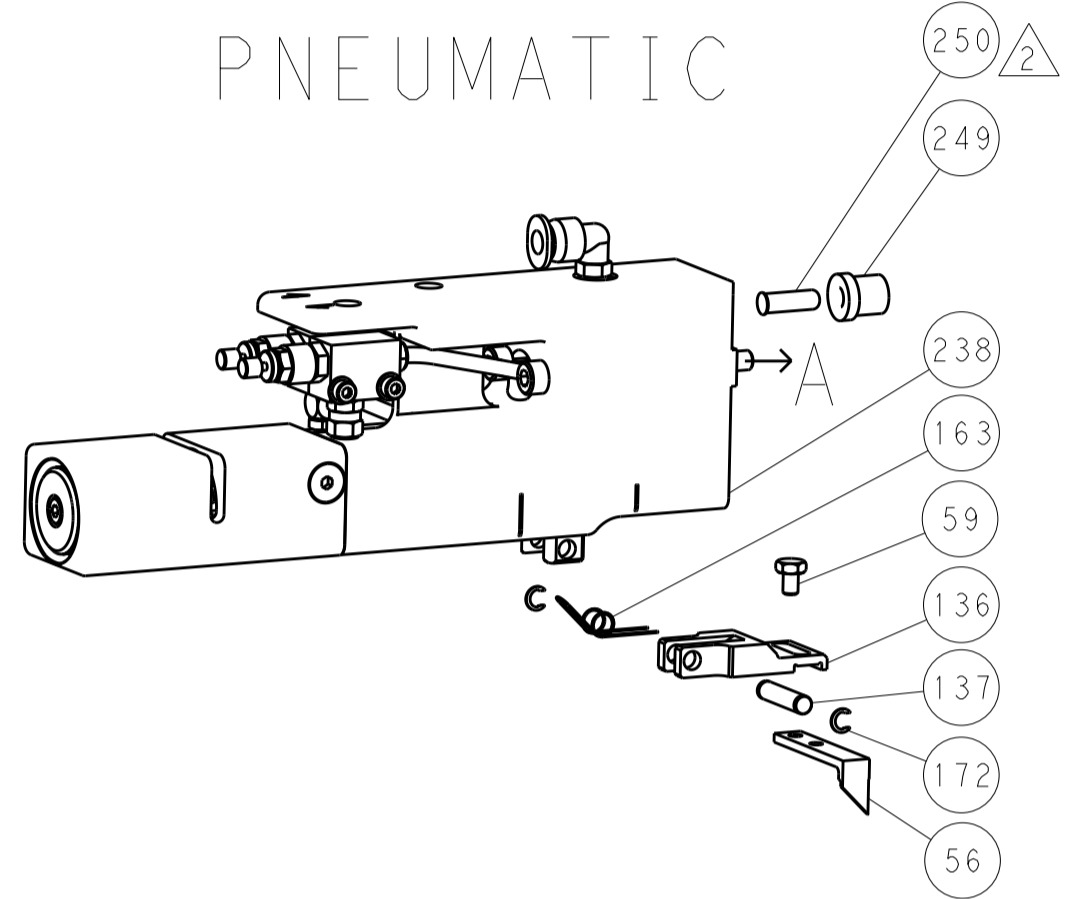


LOC	DIST	REV	DATE	BY	APPV
A	66				

### FEED TYPE MECHANICAL



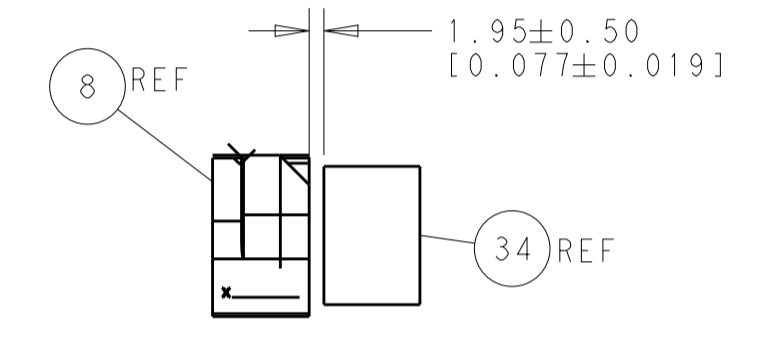
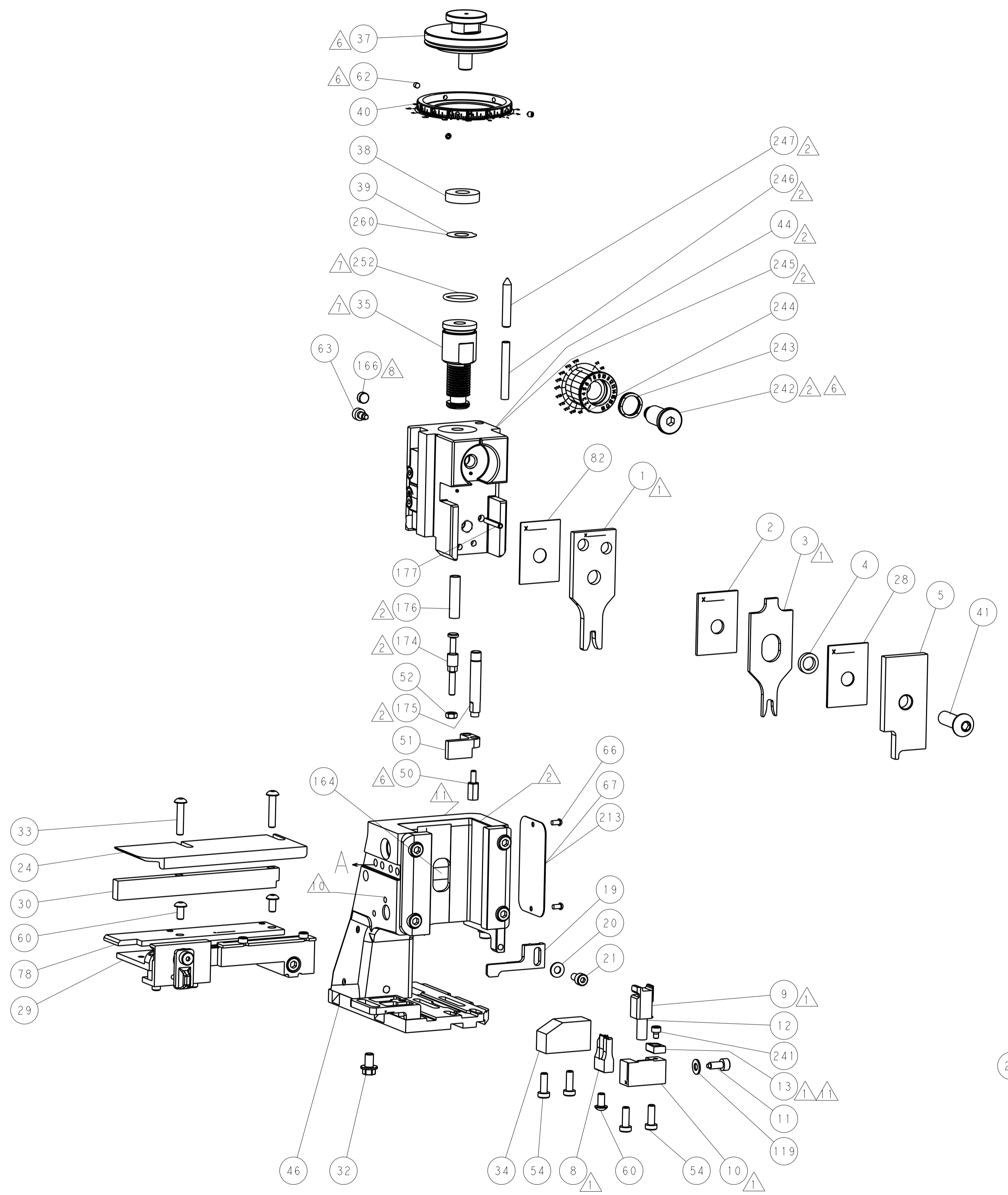
### PNEUMATIC



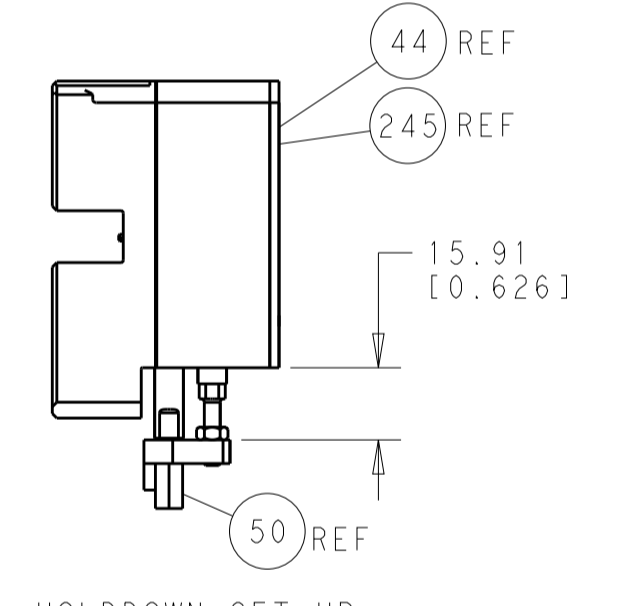
### SERVO LATCH PLATE



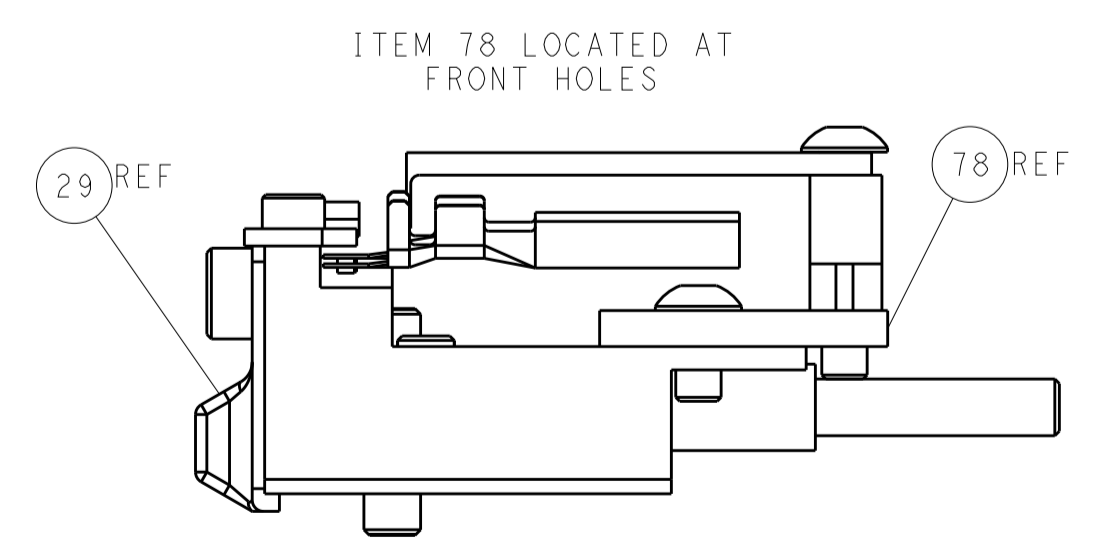
### CAM POSITIONS



TERMINAL SUPPORT LOCATION



HOLDDOWN SET-UP



ITEM 78 LOCATED AT FRONT HOLES

FEED TRACK POSITION GUIDE BY INSULATION BARREL

**ATLANTIC VERSION**  
 Shown on sheets 1 of 4 & 2 of 4  
 (Pacific version shown on sheets 3 of 4 & 4 of 4)

DIMENSIONS: mm		TOLERANCES UNLESS OTHERWISE SPECIFIED:		DWG: R. Q. WILSON 30MAR2012		TE Connectivity	
0 PLC ±0.5		1 PLC ±0.5		CHK: L. A. GROSS 05APR2012		Harrisburg, PA 17105-3608	
2 PLC ±0.13		3 PLC ±0.013		APPV: T. L. ELBIN 05APR2012		NAME: Ocean Side Feed Applicator	
4 PLC ±0.001		ANGLES ±0.0001		PRODUCT SPEC		SIZE: CAGE CODE: DRAWING NO: A11 00779 ©=2151634	
MATERIAL: -		FINISH: -		WEIGHT: -		RESTRICTED TO: -	
Customer Accessible Production Drawing				SCALE: 1:2		SHEET 2 OF 4 REV E1	

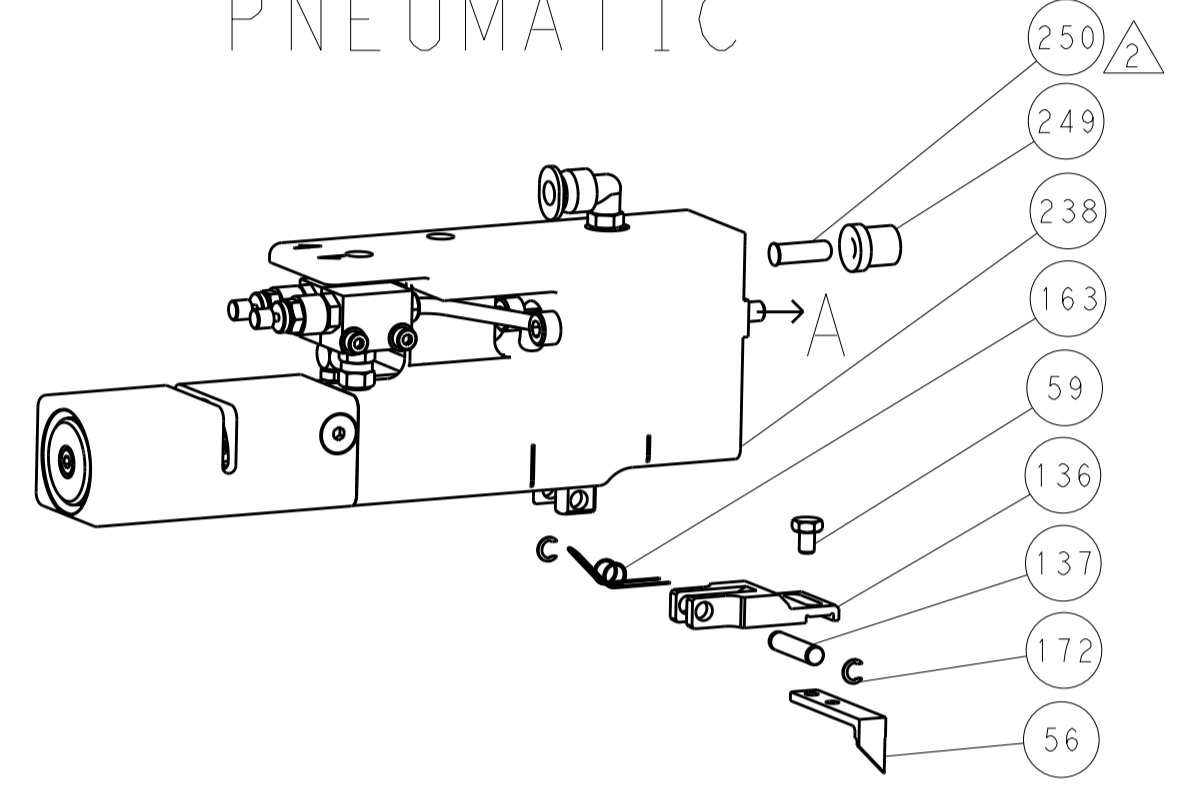


LOC		DIST		REVISIONS			
A	66	P	LTM	DESCRIPTION	DATE	OWN	APVD
		-		SEE SHEET 1			

# FEED TYPE MECHANICAL



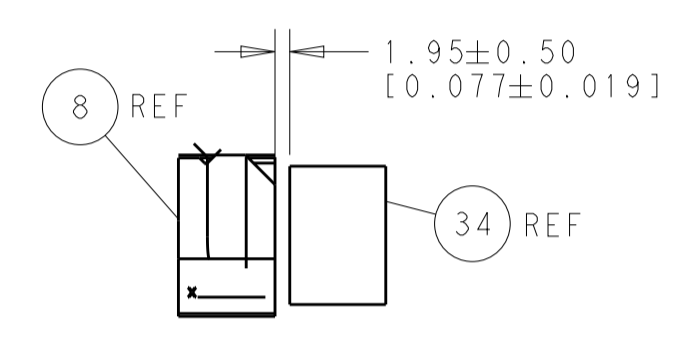
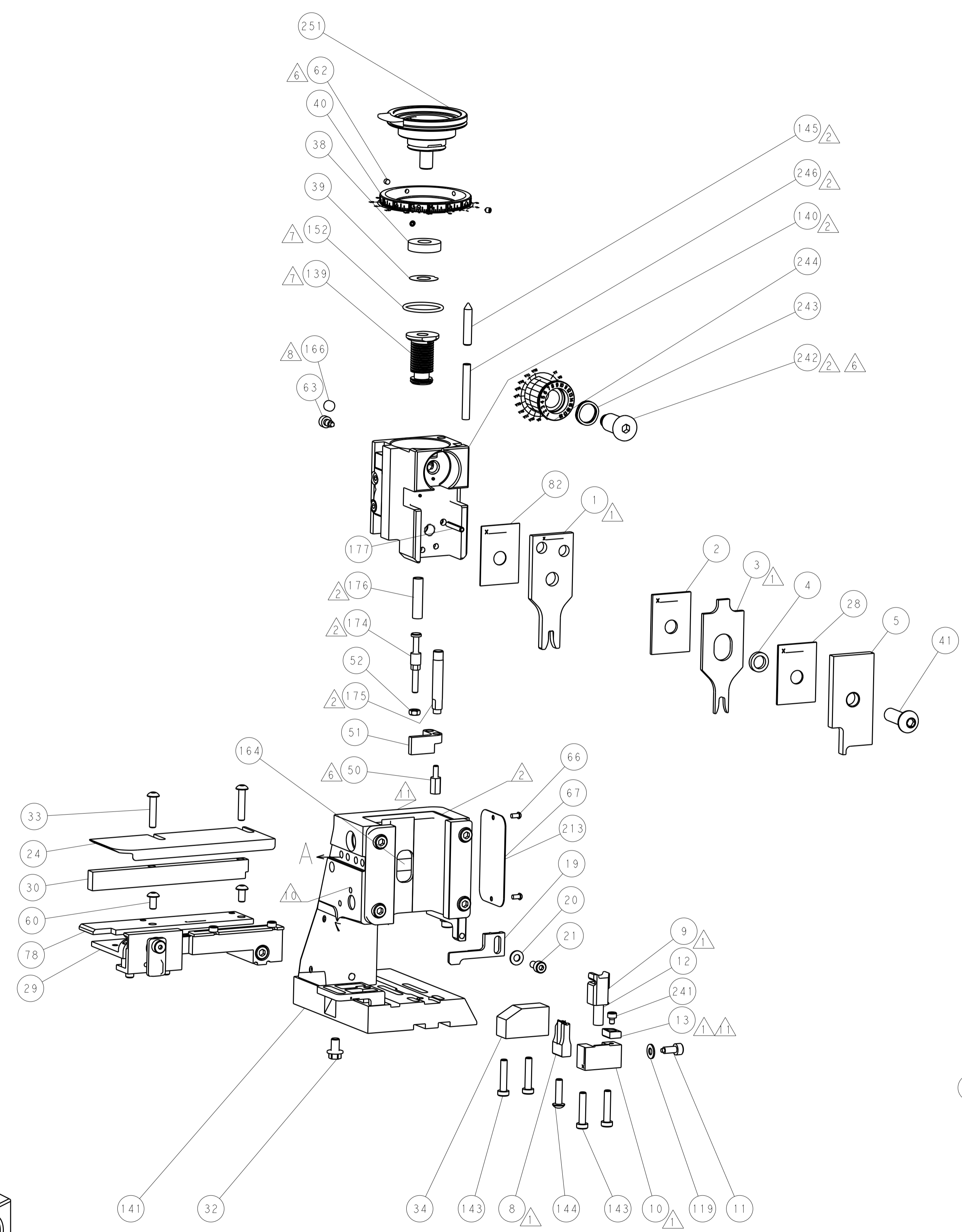
# PNEUMATIC



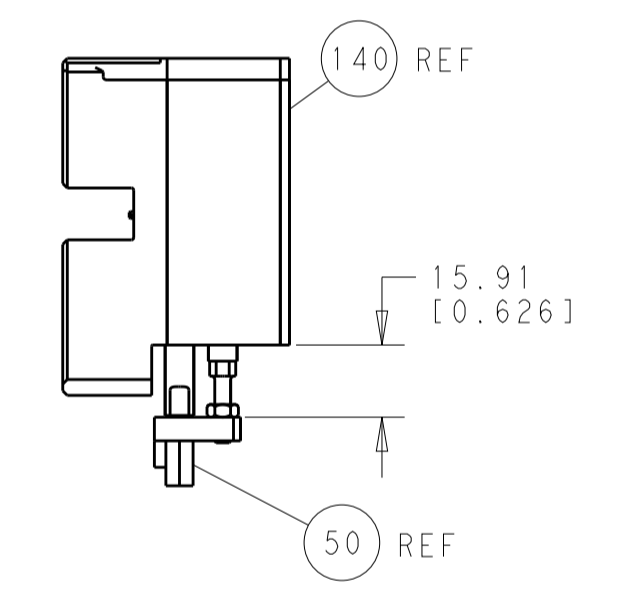
# SERVO LATCH PLATE



# CAM POSITIONS

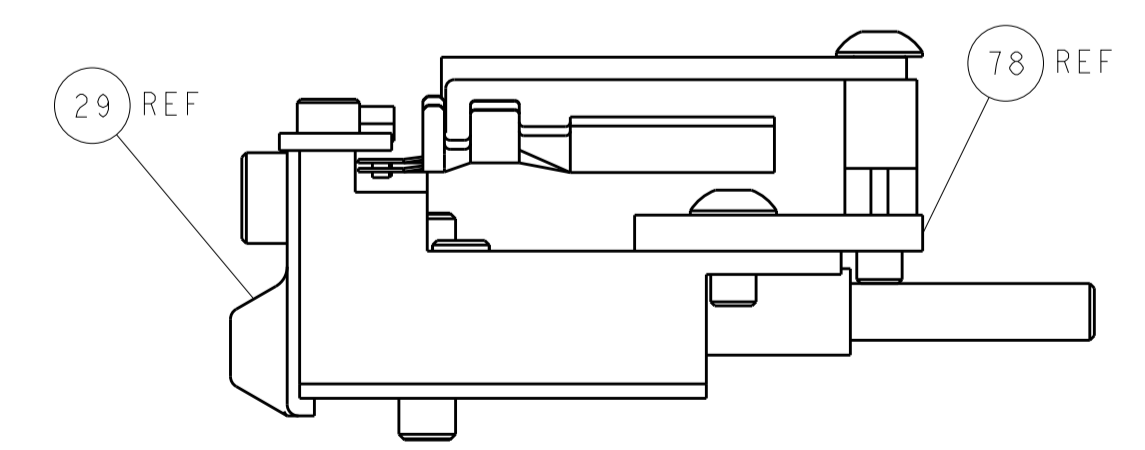


TERMINAL SUPPORT LOCATION



HOLDDOWN SET-UP

ITEM 78 LOCATED AT FRONT HOLES



FEED TRACK POSITION GUIDE BY INSULATION BARREL

**PACIFIC VERSION**  
 Shown on sheets 3 of 4 & 4 of 4  
 (Atlantic version shown on sheets 1 of 4 & 2 of 4)

DIMENSIONS:		TOLERANCES UNLESS OTHERWISE SPECIFIED:		DWG: R.O. WILSON 30MAR2012		TE Connectivity	
mm	0 PLC ±0.5	1 PLC ±0.5	2 PLC ±0.13	3 PLC ±0.013	4 PLC ±0.001	APVD: L.A. GROSS 05APR2012	Harrisburg, PA 17105-3608
MATERIAL:		FINISH:		NAME: T.L. ELBIN 05APR2012		Ocean Side Feed Applicator	
				SIZE: A1		CAGE CODE: 00779	
				DRAWING NO: 2151634		RESTRICTED TO:	
				SCALE: 1:2		SHEET 4 OF 4	
				REV: E1			