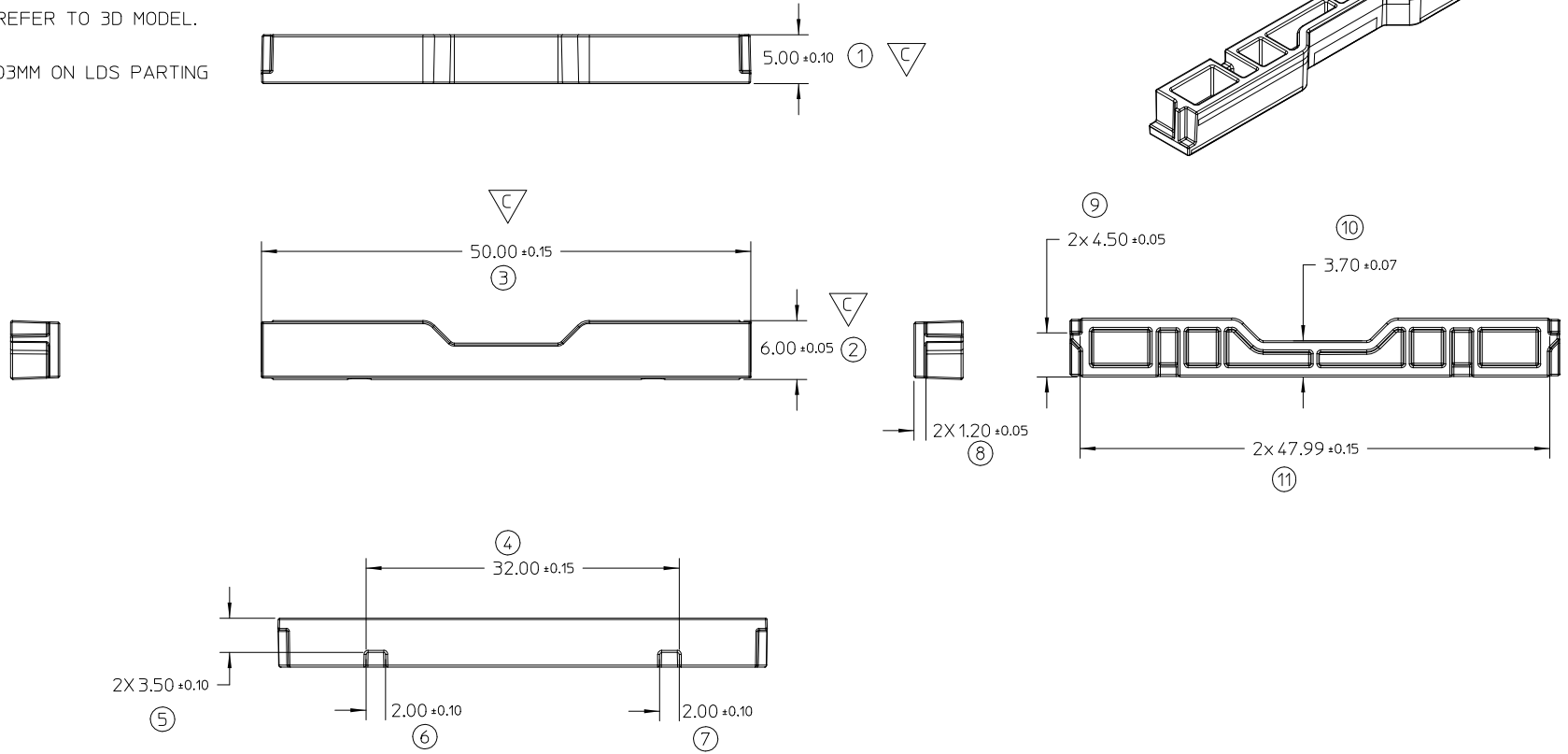


NOTES:
1. MATERIAL: LCP VECTRA E840I.

- 2. USE GLOVES OR FINGER COTS WHEN HANDLING DO NOT TOUCH PART WITH BARE HANDS.
- 3. ONLY DIMENSIONS WITH A NUMBER ARE TO BE MEASURED.
- 4. ∇C ONGOING STATISTICAL PROCESS CONTROL REQUIRED.
- 5. FOR COMPLETE PART GEOMETRY REFER TO 3D MODEL.
- 6. FLASH SHOULD BE LESS THAN 0.03MM ON LDS PARTING LINE AREAS.

MOLEX			CUSTOMER				DARWING	CHANGE DISCRIPTION	AFFECTED DFPT
DRAWING NO	REV	ECN NO	DATE	P/N	DRAWING NO	3D REV	2D REV	LOCATION	
SD-47951-001	A	ABU2011-0109	20110520	-	-	-	-	-	
								INITIAL RELEASE	ME/PE/AOP/RE



TOLERANCE DIN 18901-110(MM)		
OVER	UPTO	TOLERANCE
0	1	±0.06
1	3	±0.07
3	6	±0.08
6	10	±0.09
10	15	±0.10
15	22	±0.11
22	30	±0.12
30	40	±0.13
40	53	±0.14
53	70	±0.15

REV	DESCRIPTION	QUALITY SYMBOLS	GENERAL TOLERANCES (UNLESS SPECIFIED)		DIMENSION STYLE	SCALE	DESIGN UNITS	THIRD ANGLE PROJECTION
			mm	INCH	DRAWN BY	DATE	TITLE	
A	ENTER DESCRIPTION EC NO:ABU2011-0109 DRWN:COOPERZHOU CHK:ERIC SHI APPR:WELSON TAN	$\nabla C = 3$ $\blacktriangledown = 0$	4 PLACES	±	±	COOPERZHOU	20110520	MOBILE TV ANTENNA AFTER MOLDING
			3 PLACES	±	±	CHECKED BY	DATE	
			2 PLACES	±	±	ERIC SHI	20110520	MOLEx MOLEX INCORPORATED
			1 PLACE	±	±	APPROVED BY	DATE	
			ANGULAR ± °			welson tan	20110520	DOCUMENT NO. SD-47951-001
			DRAFT WHERE APPLICABLE MUST REMAIN WITHIN DIMENSIONS		SEE TABLE	SHEET NO. 1 OF 3		

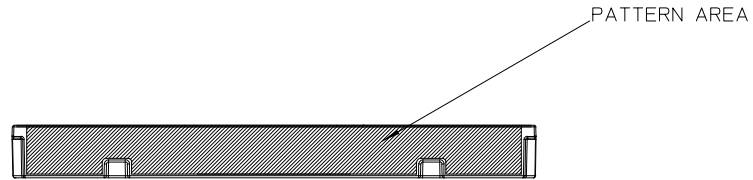
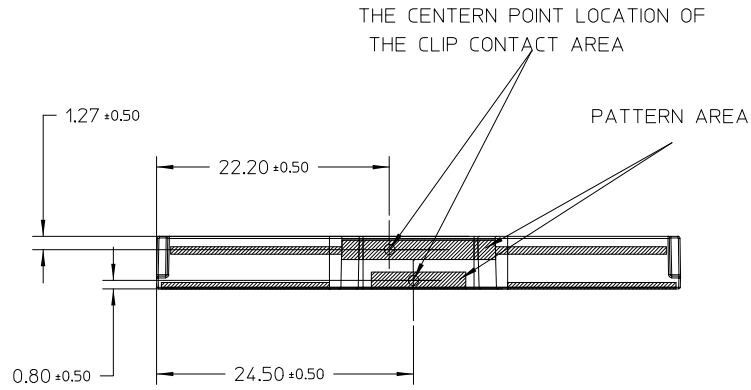
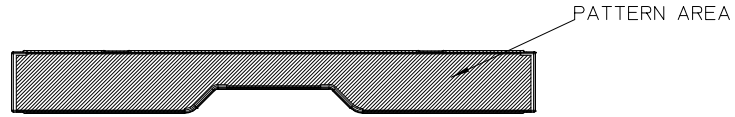
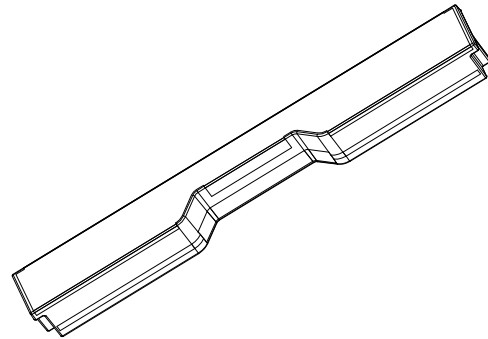
NOTES:

1. TOLERANCE

PATTERN TO PART EDGE : +/-0.15 mm;
 PATTERN TO PATTERN : +/-0.10 mm.

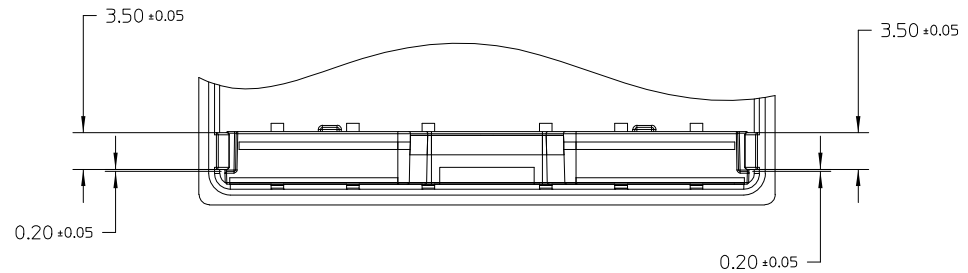
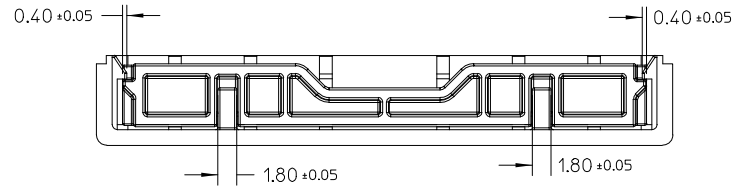
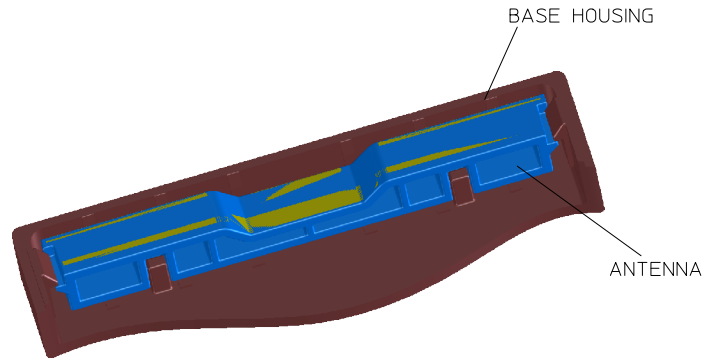
2. PLATING

Cu 12 MIN μM;
 MEDIUM PHOS-Ni 2 MIN μM ;



ENTER DESCRIPTION EC NO:ABU2011-0109 DRWN:COOPERZHOU CHK'D:ERIC SHI APPR: WELSON TAN	QUALITY SYMBOLS	GENERAL TOLERANCES (UNLESS SPECIFIED)		DIMENSION STYLE		SCALE 2:1	DESIGN UNITS	THIRD ANGLE PROJECTION
	▽=0	mm	INCH	DRAWN BY	DATE	TITLE	MOBILE TV ANTENNA AFTER TEST	
	∇=0	4 PLACES ±	±	COOPER ZHOU	20110520			
	▲=0	3 PLACES ±	±	CHECKED BY	DATE	MOLEX INCORPORATED	DOCUMENT NO.	SHEET NO.
	2 PLACES ±	±	Eric shi	20110520				
	1 PLACE ±	±	APPROVED BY	DATE	MOLEX INCORPORATED			
	ANGULAR ± °	DRAFT WHERE APPLICABLE MUST REMAIN WITHIN DIMENSIONS		welson tan	20110520	SD-47951-001		2 OF 3
REV	DESCRIPTION	SEE THE TABLE OF SHEET1		THIS DRAWING CONTAINS INFORMATION THAT IS PROPRIETARY TO MOLEX INCORPORATED AND SHOULD NOT BE USED WITHOUT WRITTEN PERMISSION				

NOTE:
ASSY STRUCTURER ONLY FOR REFERENCE.



ENTER DESCRIPTION EC NO:ABU2011-0109 DRWN:COOPER ZHOU CHK:DERIC SHI APPR:WELSON TAN	QUALITY SYMBOLS $\nabla_F=0$ $\nabla_{F'}=0$ $\nabla_{F''}=0$	GENERAL TOLERANCES (UNLESS SPECIFIED)		DIMENSION STYLE		SCALE 2:1	DESIGN UNITS	THIRD ANGLE PROJECTION
		mm INCH	DRAWN BY COOPERZHOU	DATE 20110520	TITLE ASSY STRUCTURE(ONLY FOR REFERENCE)			
		4 PLACES ± ± 3 PLACES ± ± 2 PLACES ± ± 1 PLACE ± ±	CHECKED BY ERIC SHI	DATE 20110520	APPROVED BY WELSON TAN			
		ANGULAR ± °	MATERIAL NO. WELSON TAN 20110520	DATE 20110520	MOLEX INCORPORATED		DOCUMENT NO. SD-47951-001	SHEET NO. 3 OF 3
REV A	DESCRIPTION DRAFT WHERE APPLICABLE MUST REMAIN WITHIN DIMENSIONS	SEE TABLE		SIZE A3		THIS DRAWING CONTAINS INFORMATION THAT IS PROPRIETARY TO MOLEX INCORPORATED AND SHOULD NOT BE USED WITHOUT WRITTEN PERMISSION		