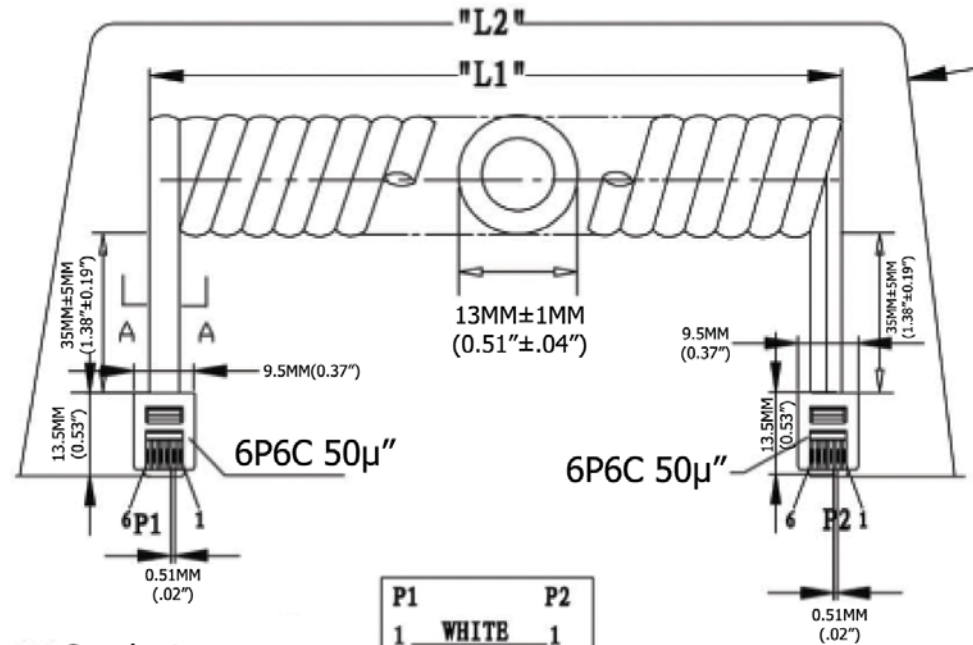


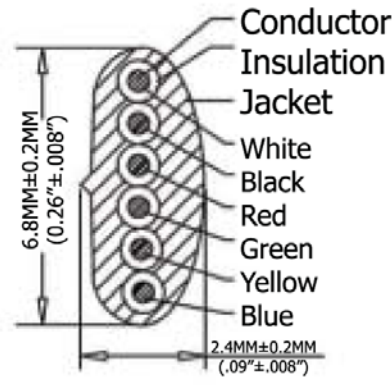
A
B
C
D
E
F
G
H

A
B
C
D
E
F
G
H



Extended length is with 500g of force

| P1 | P2 |
|----|----------|
| 1 | WHITE 1 |
| 2 | BLACK 2 |
| 3 | RED 3 |
| 4 | GREEN 4 |
| 5 | YELLOW 5 |
| 6 | BLUE 6 |



SBC: A-A

| Extended Length ("L2") | Typical Retracted Length ("L1") |
|---------------------------|---------------------------------|
| 60.0 Inches - 69.0 Inches | 21.5 Inches |
| 1,524.0MM-1,752.6MM | 546.1MM |

Material:

- Plug Housing: Polycarbonate, clear
- Plug Terminal: 0.36"[0.14MM] Thick Phosphor Bronze
- Connector: 50μ" of Selective Gold Contact Plating
 - Area, Gold flash over the remainder
 - Over 2.54μm[.000100] thick nickel underplate
- Conductor(X6C): 26AWG (0.12X12) Bare Copper
- Insulation(X6C): PP6331 ID 0.95-1.0
- Jacke: PVC No UL 80 P
- Package: Individual PE Bag



| | | | | | | | |
|-----------|-------|--|--|--|----------|----------|----------|
| Scale | 1:1 | | | | | | Name |
| TOLERANCE | | | | | Drawn | 11.02.11 | Chappell |
| X.X | ±0.40 | | | | Approved | | |
| X.XX | ±0.25 | | | | | | |
| X.XXX | ±0.15 | | | | | | |
| Angle | ±3° | | | | | | |
| | | | | | | | |
| | | | | | | | |
| | | | | | | | |
| | | | | | | | |
| | | | | | | | |
| | | | | | | | |



Item No.
AT-C-26-6/6/B-5/R

Title
NON-UL 26 AWG (0.12X12)*6C, O.D.: 2.4*6.8MM, Standard Plug, 50μ" of contact plating, BLACK

Drawing No. _____

Replace Sheet

rev00