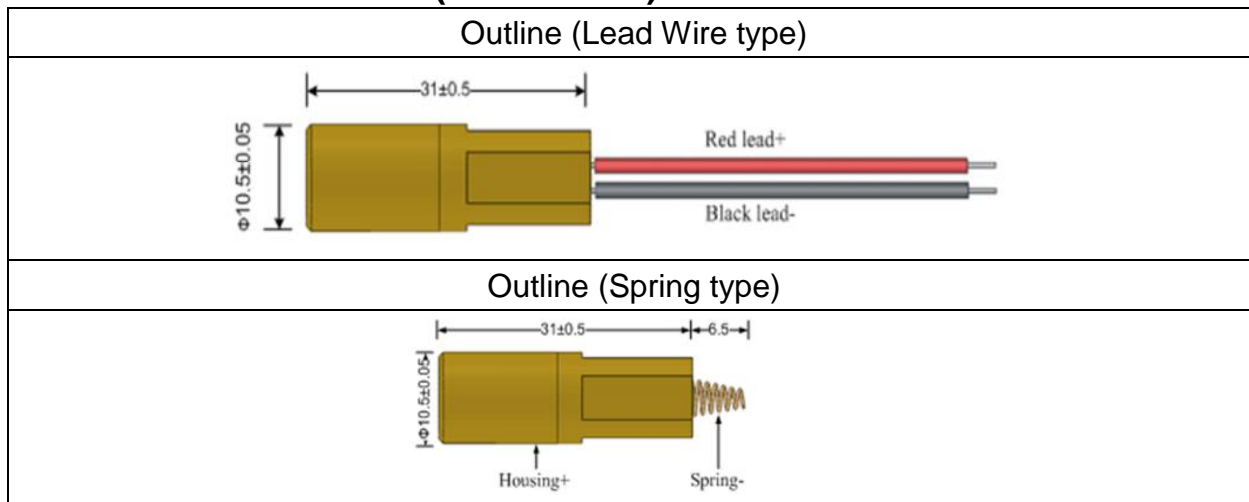


## VLM-520-53-Series

### OUTLINE DIMENSIONS (UNITS: mm)



SPECIFICATIONS		VLM-520-53			
		LPT	LPA	SPT	SPA
1	Dimensions	$\varnothing$ 10.5 x 31 mm ( $\varnothing$ 0.414" x 1.22")		$\varnothing$ 10.5 x 37.5 mm ( $\varnothing$ 0.414" x 1.47")	
2	Weight	9g $\pm$ 0.5g			
3	Operating voltage (Vop)	3~5 VDC			
4	Operating current (Iop)	<100mA			
5	Continuous wave output power (Po)	<1mW	<4mW	<1mW	<4mW
6	Wavelength at peak emission ( $\lambda_p$ )	510~530nm			
7	Collimating Lens	Aspherical Glass lens( $\varnothing$ 6.35)			
8	Output Aperture	5mm			
9	Beam Shape	Dot			
10	Spot size at 10M	5 $\pm$ 1mm			
11	Divergence(Half Angle)	0.4mRad			
12	Operating temp. range	-20 $^{\circ}$ C ~ +60 $^{\circ}$ C			
13	Storage temp. range	-20 $^{\circ}$ C ~ +85 $^{\circ}$ C			
14	Housing Material	Bronze			
15	Housing Color	Brass			
16	Potential of Housing	VDD(+)		VDD(+)	
17	Wire Type	1007-26 AWG		Spring	
18	Cable length	127mm		6.5mm	
19	Mean time to failure(MTTF) 25 $^{\circ}$ C	10000hrs			