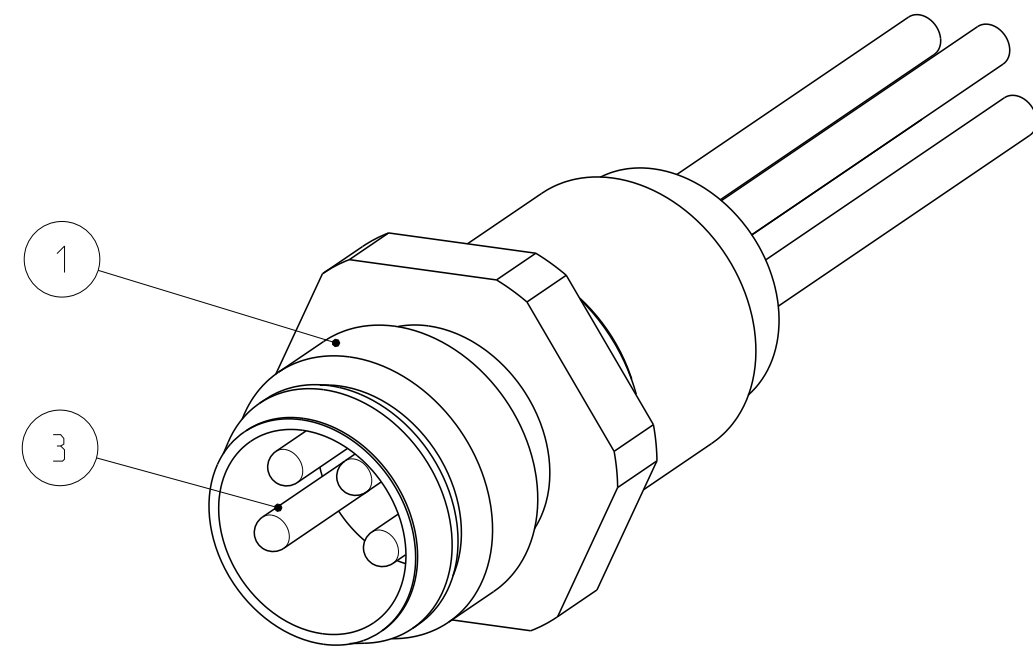
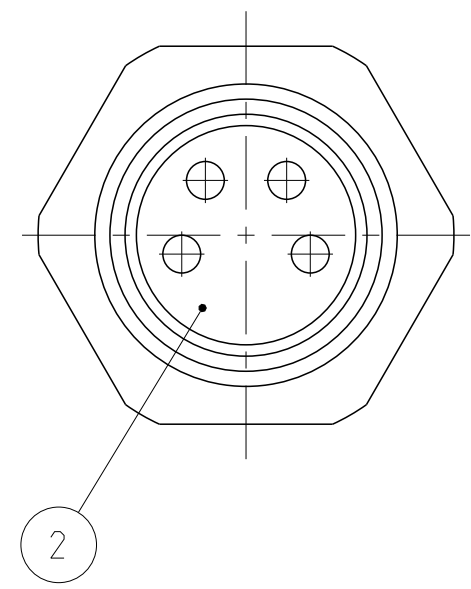
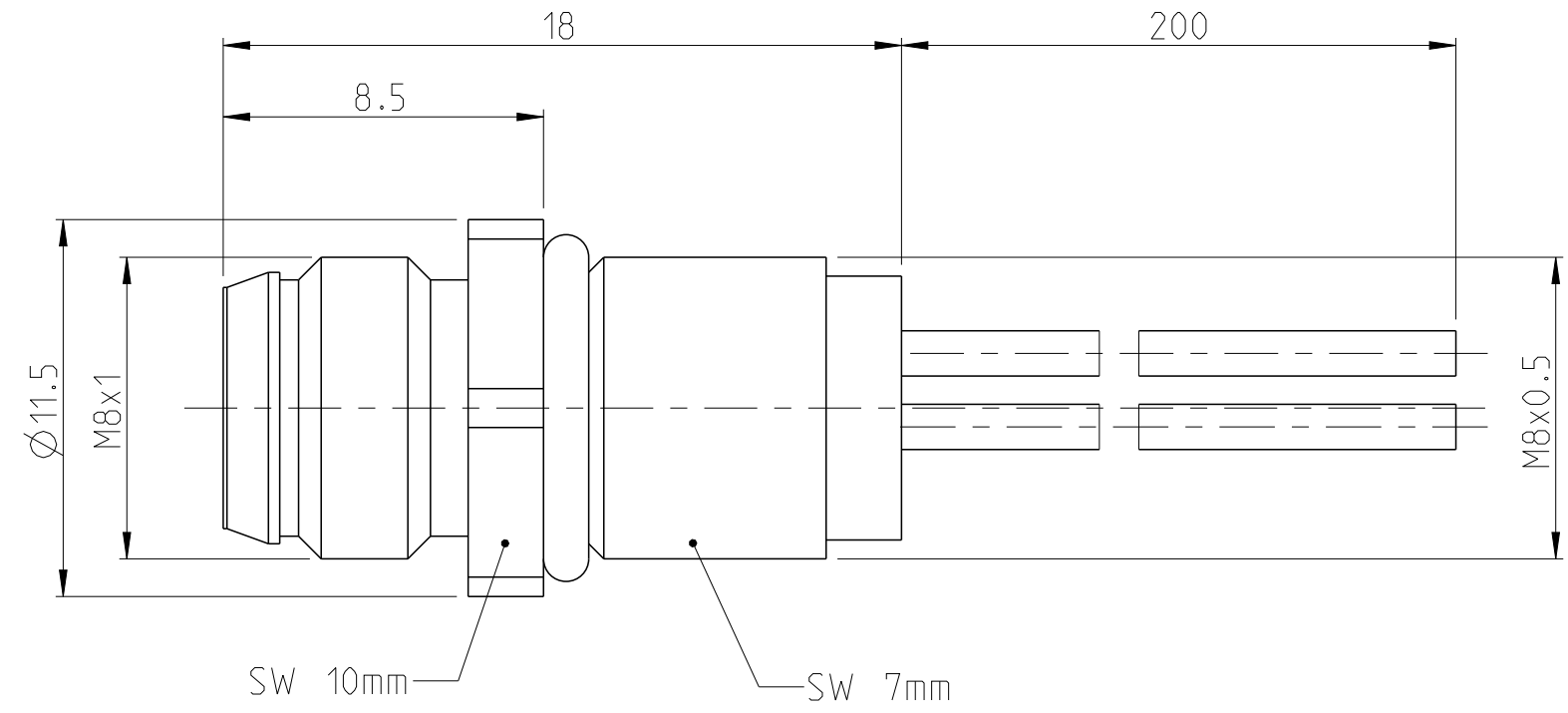


P	LTR	DESCRIPTION	DATE	DWN	APVD
	A1	NEW DRAWING	08MAY2014	YR	CS

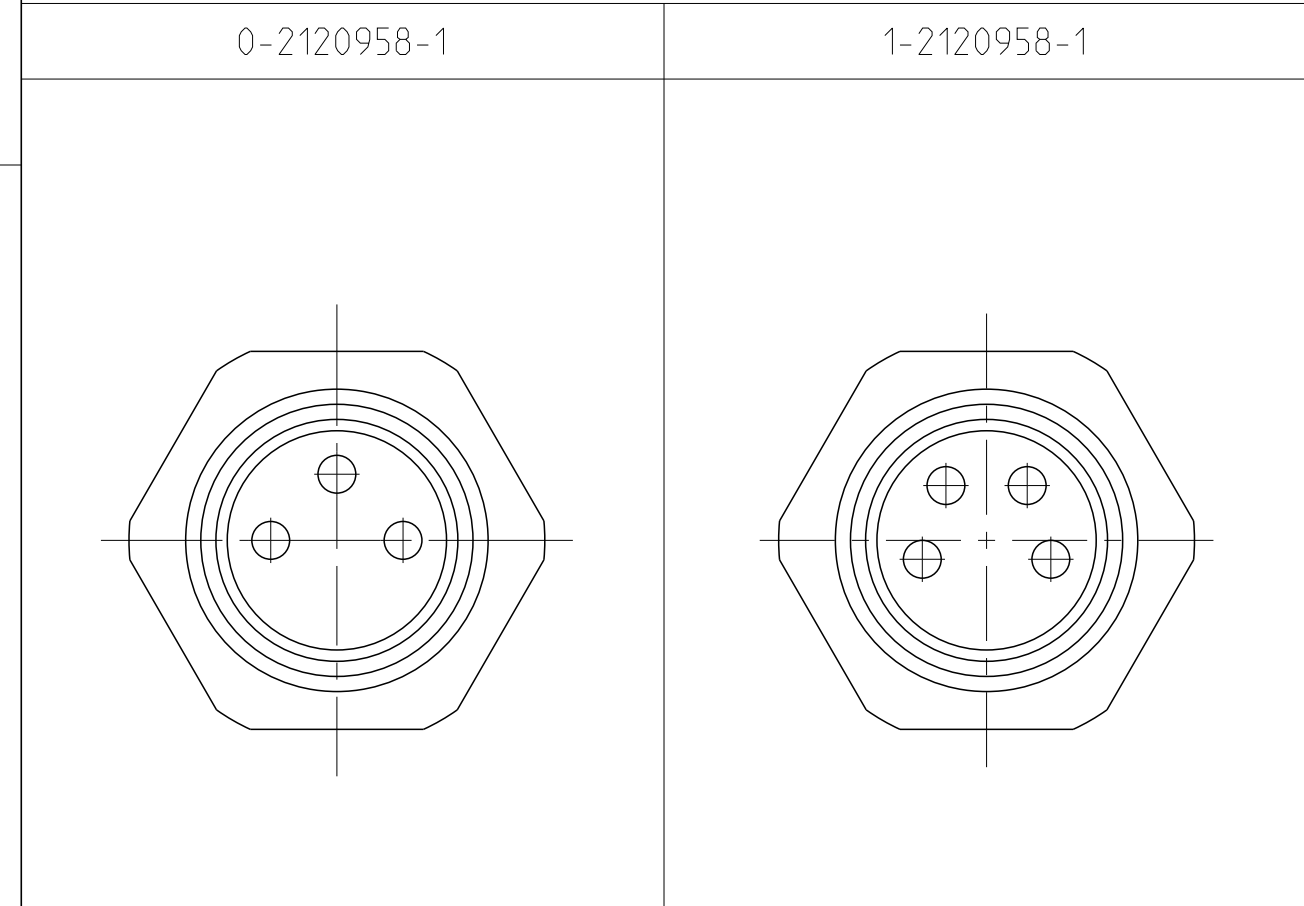
1 MATERIAL: ITEM NO. 1: HOUSING - CUZn (BRASS NICKEL PLATED)  
 ITEM NO. 2: CONTACT BODY - PA  
 ITEM NO. 3: CONTACT - CuZn (brass)  
 CONTACT FINISH - Au (gold)

- 2 ALL DIMENSIONS ARE FOR NOMINAL REFERENCE ONLY UNLESS OTHERWISE STATED
- 3 MEASUREMENT REFERENCE ONLY
- 4 PACKAGING: 1 PIECE IN A BAG

TECHNICAL DATA	0-2120958-1	1-2120958-1
RATED VOLTAGE	60V	30V
RATED IMPULSE VOLTAGE	800V	800V
POLLUTION DEGREE	3	3
OVERVOLTAGE CATEGORY	II	II
MATERIAL GROUP	II	II
RATED CURRENT	4A	4A
VOLUME RESISTIVITY	≤ 3mΩ	≤ 3mΩ
DEGREE OF PROTECTION	IP67	IP67
UPPER TEMPERATURE	+85 °C	+85 °C
LOWER TEMPERATURE	-40 °C	-40 °C



PIN ARRANGEMENT (SCALE 5:1)



1-1 AS SHOWN WIE GEZEICHNET

24 / 0.25mm <sup>2</sup>	1	4	1-2120958-1
24 / 0.25mm <sup>2</sup>	1	3	0-2120958-1
WIRES AWG / mm <sup>2</sup>	MATERIAL	NUMBER OF POLES	TE-PART-NO.

DIESE ZEICHNUNG IST EIN KONTROLLIERTES DOKUMENT. BEMASSUNGEN UND TOLERANZEN GEMAESS GPS (ISO STANDARDS). THIS DRAWING IS A CONTROLLED DOCUMENT. DIMENSIONING AND TOLERANCING PER GPS (ISO STANDARDS).

APVD: YASHKUMAR 08MAY2014, CHK: M. STRELOW 08MAY2014, NAME: C. SCHRETLINGER 08MAY2014

**STE** TE Connectivity

M8 MALE PANEL MOUNT CONNECTOR, SOLDER TERMINALS.

SIZE: A2, CAGE CODE: 100779, DRAWING NO: C-2120958, RESTRICTED TO NUR FUER: -

Customer Drawing / KUNDENZEICHNUNG, SCALE: 5:1, SHEET: 1 OF 1, REV: A1

SIZE ISO 14405 (E)