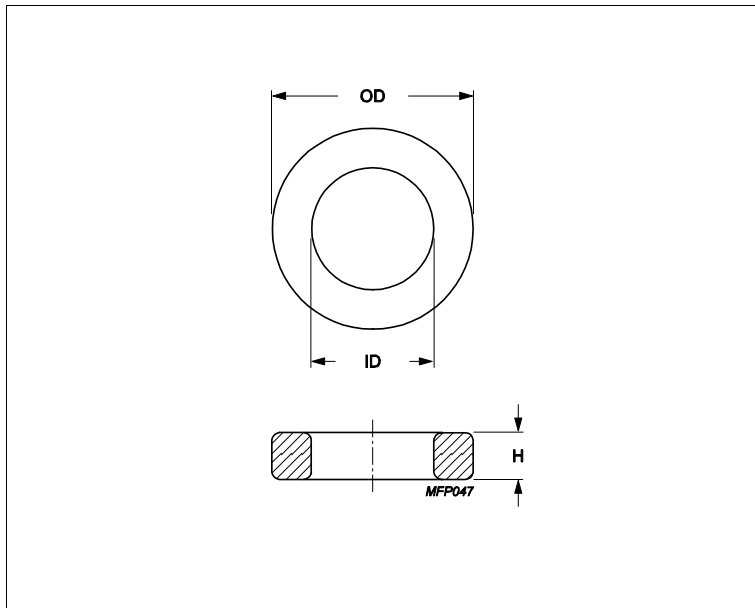


Core **Toroid 80/40/15**



Effective parameters			
	Parameter	Value	Unit
$\Sigma(I/A)$	core factor (C1)	0.604	mm ⁻¹
Ve	effective volume	50200	mm ³
Le	effective length	174	mm
Ae	effective area	288	mm ²
m	mass of core	≈ 240	g/pcs

Epoxy coating DC isolation voltage 2000.

Maximum operating temperature of the coating is 200°C.

Dimensions (mm)

Cores	OD	ID	H	
T80/40/15	80 ± 2.5	40 ± 1.2	15 ± 0.5	Uncoated
TX80/40/15	83 max	38.4 min	15.9 max	Epoxy Coated

Core data

Cores	Material	AI (nH/turns ²)	AI tolerance	μe
T80/40/15	3C11	9150	± 25%	≈ 4300
T80/40/15	3C94	4900	± 25%	≈ 2300
T80/40/15	3E10	20200	± 20%	≈ 9500
T80/40/15	3E27	11700	± 25%	≈ 5500
T80/40/15	3E6 (3E10-M)	20200	± 30%	≈ 9500

Core data

Cores	Material	AI (nH/turns ²)	AI tolerance	μe
TX80/40/15	3C11	9150	± 25%	≈ 4300
TX80/40/15	3C94	4900	± 25%	≈ 2300
TX80/40/15	3E10	20200	± 20%	≈ 9500
TX80/40/15	3E27	11700	± 25%	≈ 5500
TX80/40/15	3E6 (3E10-M)	20200	± 30%	≈ 9500